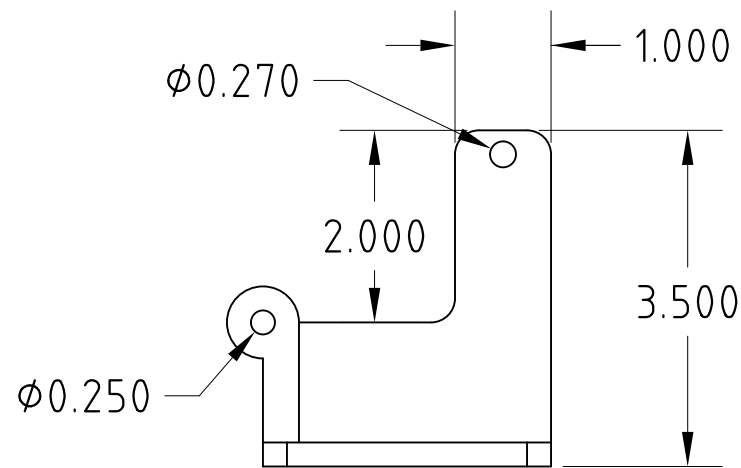
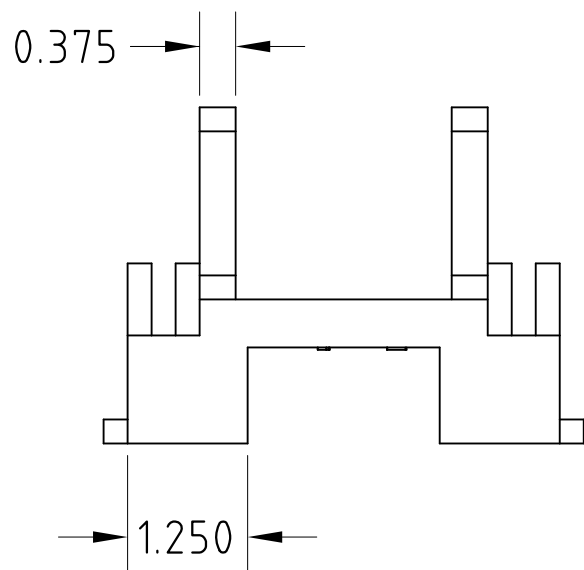
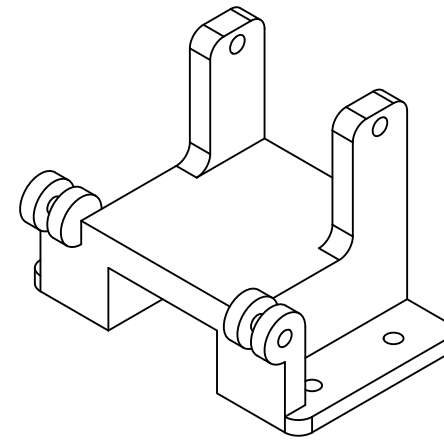
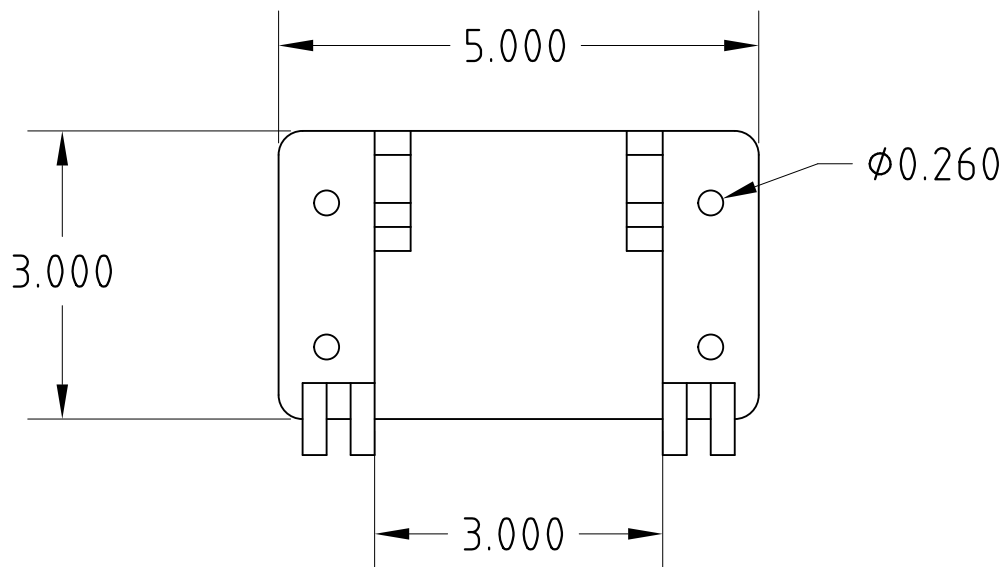


2

1



UNLESS OTHERWISE SPECIFIED:
DIMENSIONS ARE IN INCHES
.XX = ±0-
.XXX = ±00- ANGULAR $\angle = \pm^\circ$
.XXXX = ±.000- FRACTIONAL = \pm

SURFACE FINISH \checkmark

DO NOT SCALE DRAWING

BREAK ALL SHARP EDGES AND REMOVE BURRS

THIRD ANGLE PROJECTION



	NAME	DATE		
DRAWN				
CHECKED			TITLE	
APPROVED				
			SIZE	DWG NO.
			A	
			SCALE	WEIGHT
				SHEET
				REV.

2

1